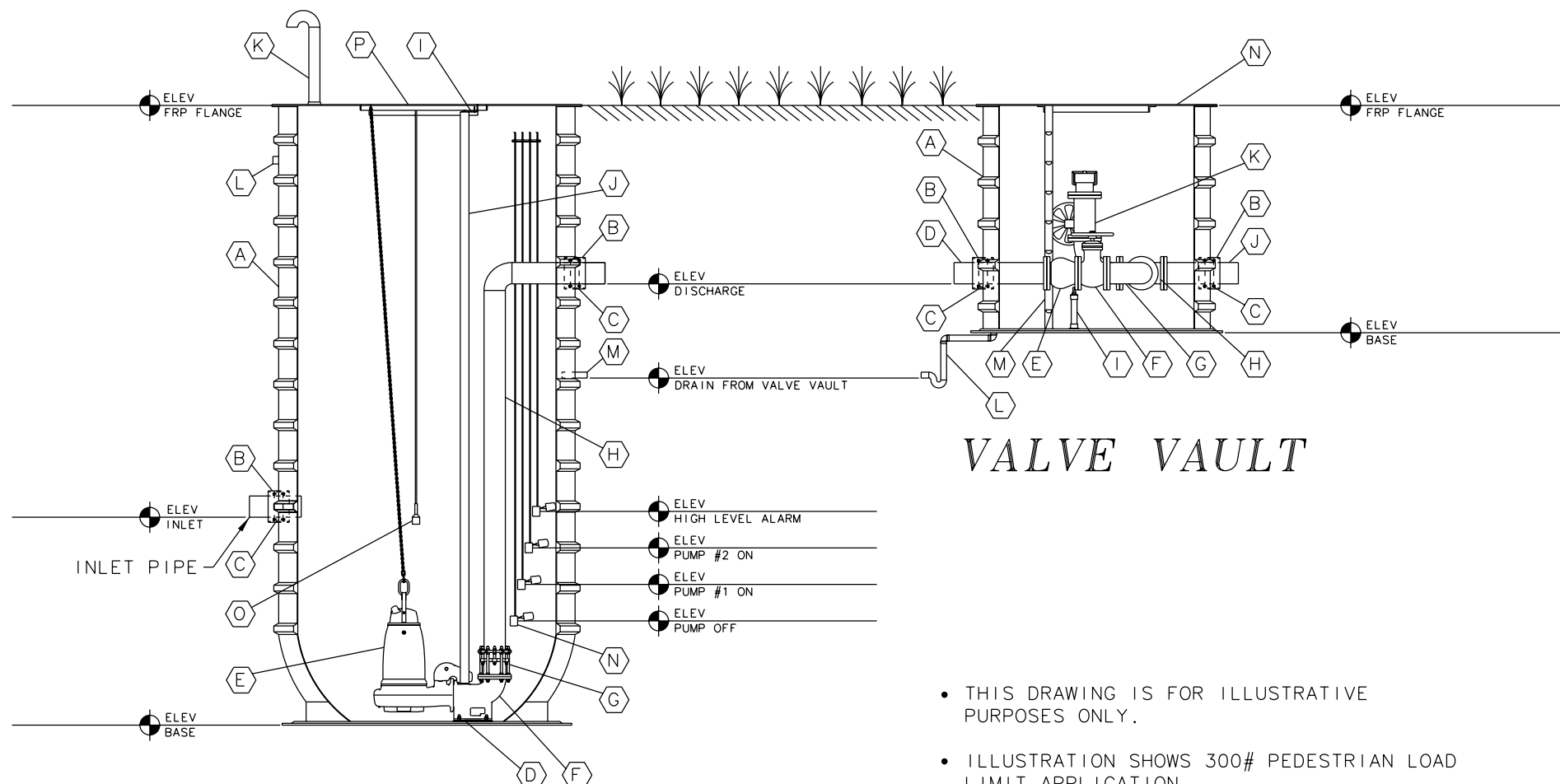
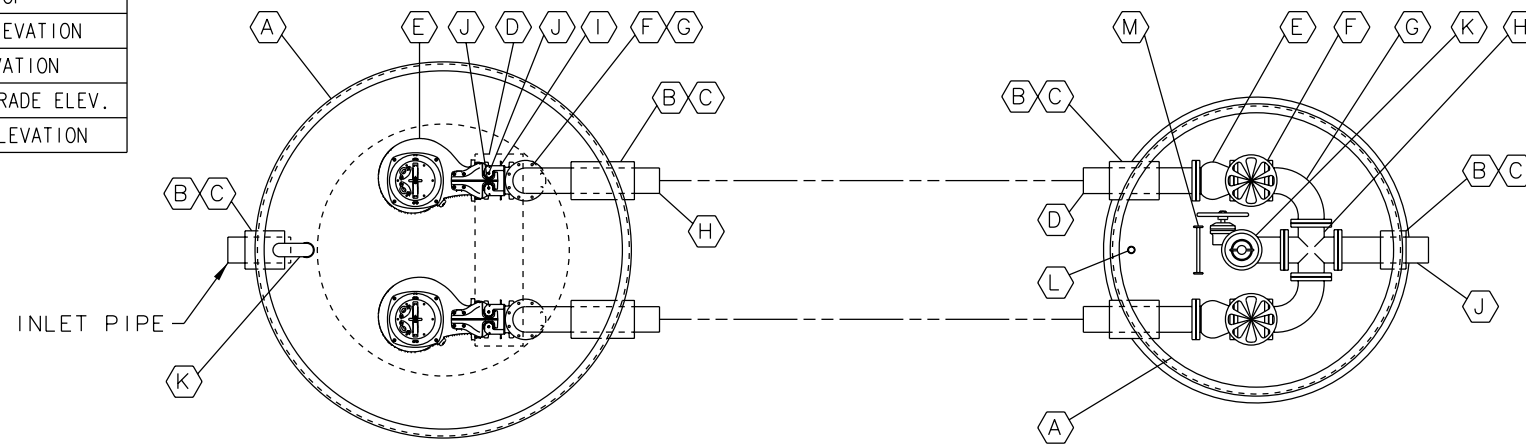


SENSOR AND ELEVATION TABLE

LEVEL ELEVATION	DISTANCE BETWEEN POINTS	SET POINT DESCRIPTION
		WELL FINISH GRADE ELEV.
		SEWER INVERT IN
		DISCHARGE INVERT OUT
		HIGH LEVEL ALARM
		LAG PUMP START
		LEAD PUMP START
		PUMP STOP
		WELL BASE ELEVATION
		DRAIN ELEVATION
		VAULT FINISH GRADE ELEV.
		VAULT BASE ELEVATION



WET WELL

VALVE VAULT

WET WELL		
ITEM	QTY	DESCRIPTION
A	1	FRP WET WELL/LIFT STATION
B	3	FRP PIPE SLEEVE FOR MECHANICAL FITTING
C	3	MECHANICAL FITTING FOR INLET/OUTLET PIPING
D	1	BOLTING PLATE FOR PUMP (316 SS, 1/4" THICK)
E	2	PUMP
F	2	DISCHARGE ELBOW
G	2	COUPLING FOR DISCHARGE PIPING
H	2	DISCHARGE PIPE
I	4	GUIDE RAIL BRACKET
J	4	GUIDE RAIL
K	1	PVC VENT PIPE WITH GOOSE-NECK AND SCREEN
L	3	FRP COUPLING (FOR CONDUIT)
M	1	FRP PIPE (DRAIN INLET FROM VALVE VAULT)
N	4	FLOAT
O	1	ULTRASONIC TRANSDUCER
P	1	ALUMINUM HATCH

VALVE VAULT		
ITEM	QTY	DESCRIPTION
A	1	FRP VALVE VAULT
B	3	FRP PIPE SLEEVE FOR MECHANICAL FITTING
C	3	MECHANICAL FITTING FOR INLET/OUTLET PIPING
D	2	INLET PIPE
E	2	CHECK VALVE
F	2	PLUG VALVE
G	2	90° ELBOW
H	1	CROSS
I	2	PIPE STAND SUPPORT
J	1	DISCHARGE PIPE
K	1	EMERGENCY PUMP OUT CONNECTION
L	1	DRAIN LINE
M	1	ALUMINUM LADDER
N	1	ALUMINUM HATCH

- THIS DRAWING IS FOR ILLUSTRATIVE PURPOSES ONLY.
- ILLUSTRATION SHOWS 300# PEDESTRIAN LOAD LIMIT APPLICATION.
- 6', 8', 10' & 12' DIAMETERS AVAILABLE.
- CONSULT A XERXES SALES REPRESENTATIVE FOR SPECIFIC APPLICATIONS.

SITE SPECIFICATION SHEET

**XERXES**<sup>®</sup>  
CORPORATION

TITLE: FIBERGLASS WET WELL  
FLANGED TOP  
TRUNCATED BOTTOM

DATE: 1-10 DR. NO.: S20-712.00