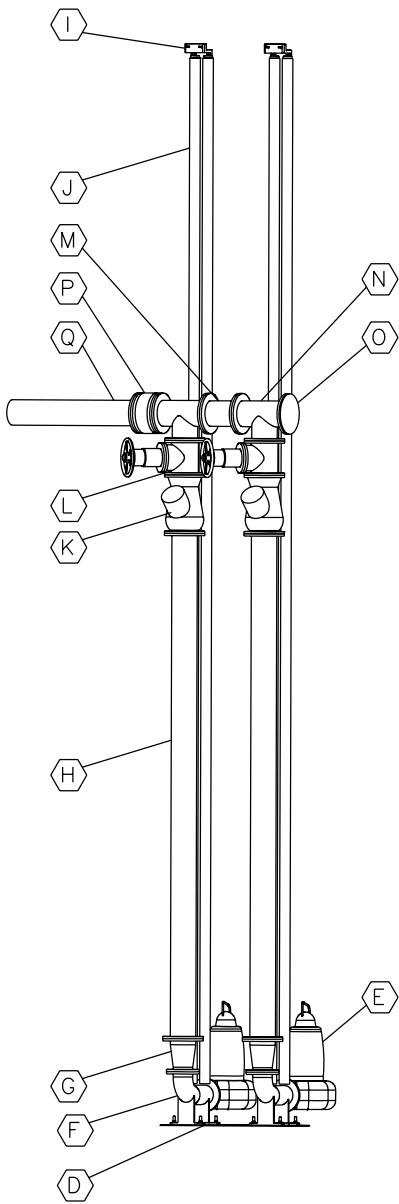
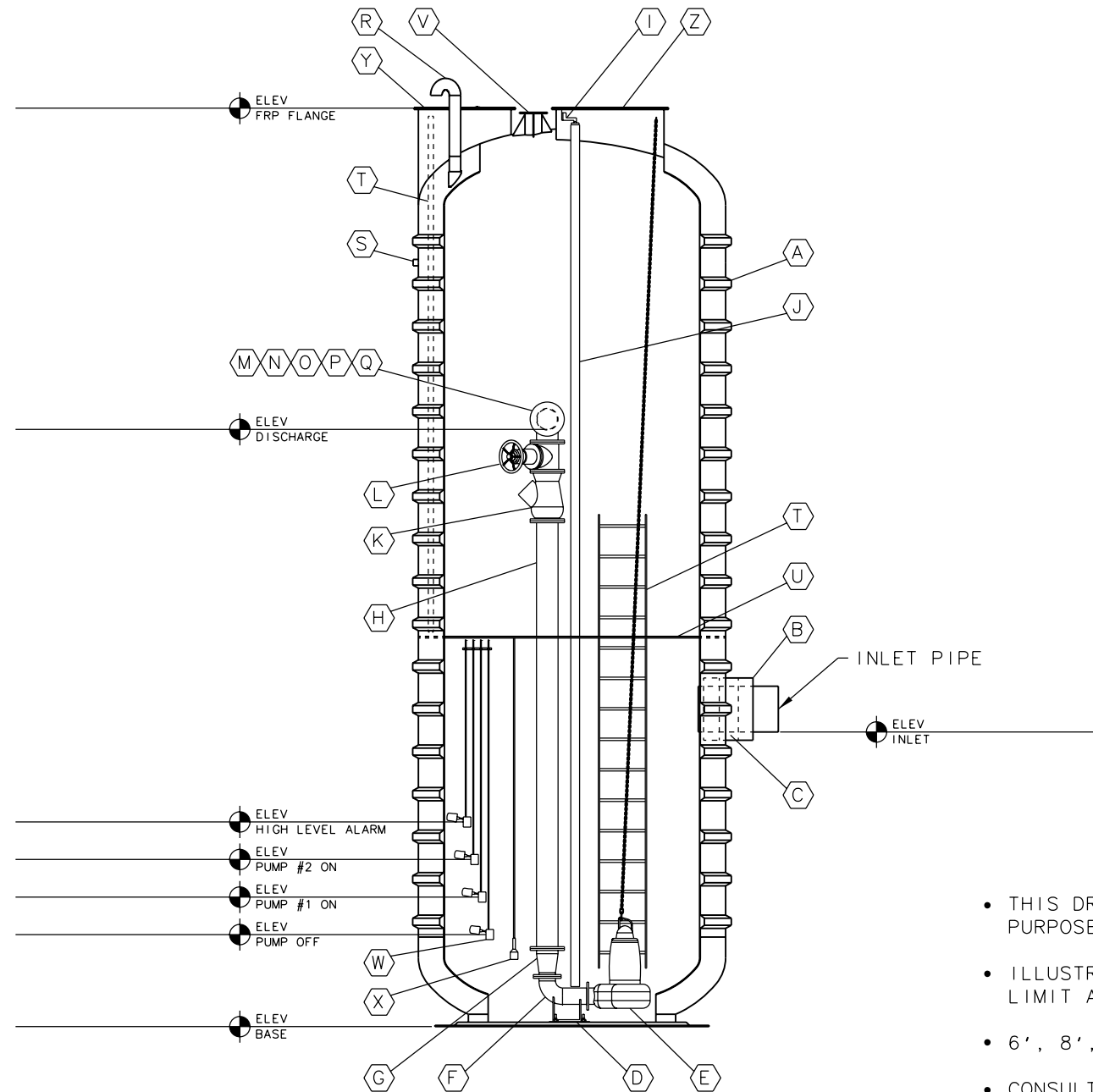
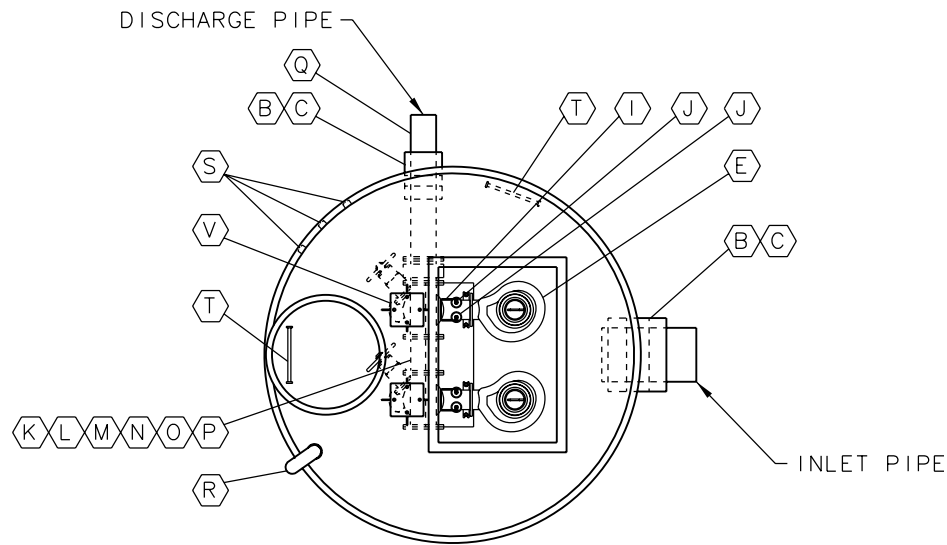


SENSOR AND ELEVATION TABLE

LEVEL ELEVATION	DISTANCE BETWEEN POINTS	SET POINT DESCRIPTION
		WELL FINISH GRADE ELEV.
		SEWER INVERT IN
		DISCHARGE INVERT OUT
		HIGH LEVEL ALARM
		LAG PUMP START
		LEAD PUMP START
		PUMP STOP
		WELL BASE ELEVATION



PIPING ASSEMBLY



- THIS DRAWING IS FOR ILLUSTRATIVE PURPOSES ONLY.
- ILLUSTRATION SHOWS 300# PEDESTRIAN LOAD LIMIT APPLICATION.
- 6', 8', 10' & 12' DIAMETERS AVAILABLE.
- CONSULT A XERXES SALES REPRESENTATIVE FOR SPECIFIC APPLICATIONS.

WET WELL

ITEM	QTY	DESCRIPTION
A	1	FRP WET WELL/LIFT STATION - VALVE VAULT
B	2	FRP PIPE SLEEVE FOR MECHANICAL FITTING
C	2	MECHANICAL FITTING FOR INLET/OUTLET PIPING
D	1	BOLTING PLATE FOR PUMP (316 SS, 1/4" THICK)
E	2	PUMP
F	2	DISCHARGE ELBOW
G	2	COUPLING FOR DISCHARGE PIPING
H	2	VERTICAL DISCHARGE PIPE
I	4	GUIDE RAIL BRACKET
J	4	GUIDE RAIL
K	2	CHECK VALVE
L	2	GATE VALVE - NON-RISING STEM
M	1	FLANGED SPOOL
N	2	FLANGED TEE
O	1	BLIND FLANGE
P	1	FLOW METER
Q	1	HORIZONTAL DISCHARGE PIPE
R	1	PVC VENT PIPE WITH GOOSE-NECK AND SCREEN
S	3	FRP COUPLING (FOR CONDUIT)
T	2	FRP LADDER
U	1	FRP PLATFORM GRATE WITH ACCESS OPENINGS
V	2	DAVIT CRANE BRACKET
W	4	FLOAT
X	1	ULTRASONIC TRANSDUCER
Y	1	ROUND ALUMINUM HATCH
Z	1	RECTANGULAR ALUMINUM HATCH

SITE SPECIFICATION SHEET

XERXES
CORPORATION

TITLE FIBERGLASS WET WELL
VALVE VAULT WITH PLATFORM
TRUNCATED BOTTOM

DATE 1-10 DR. NO. S20-747.00