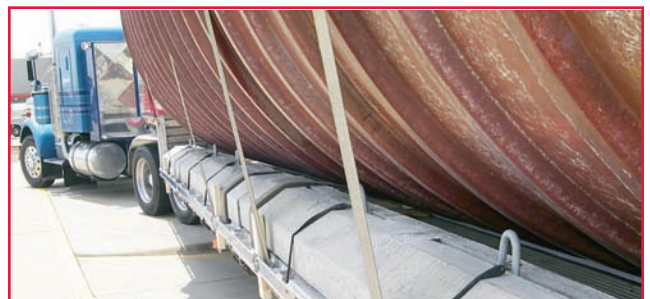


Xerxes[®] Prefabricated Deadmen

Cost-effective and time-efficient

Engineered to meet American Concrete Institute (ACI) design standards, Xerxes patented prefabricated deadmen are sized appropriately for each tank installation and arrive on the site, ready to install. An alternative, pour-in-place deadmen, take valuable hours to design and build, require 7 to 28 days to cure for proper strength, and lack the quality control behind a factory-fabricated product. If done improperly or if affected by bad weather, this process may cause costly jobsite delays, as well as potential tank and site damage. Since Xerxes deadmen are prefabricated, they provide a cost-effective, time-efficient and dependable anchoring solution. In most cases, a complete set of deadmen, including optional turnbuckles, can be delivered on the same truck as the tank. Using Xerxes prefabricated deadmen allows you to be confident that your UST anchoring system is designed, engineered and manufactured to the highest standards.

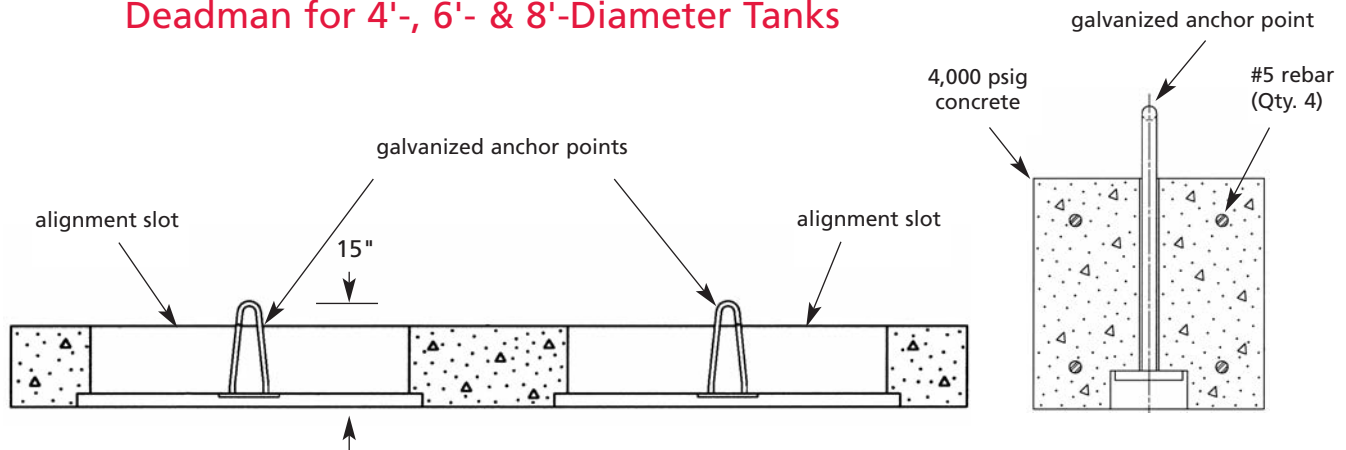


Features and Benefits

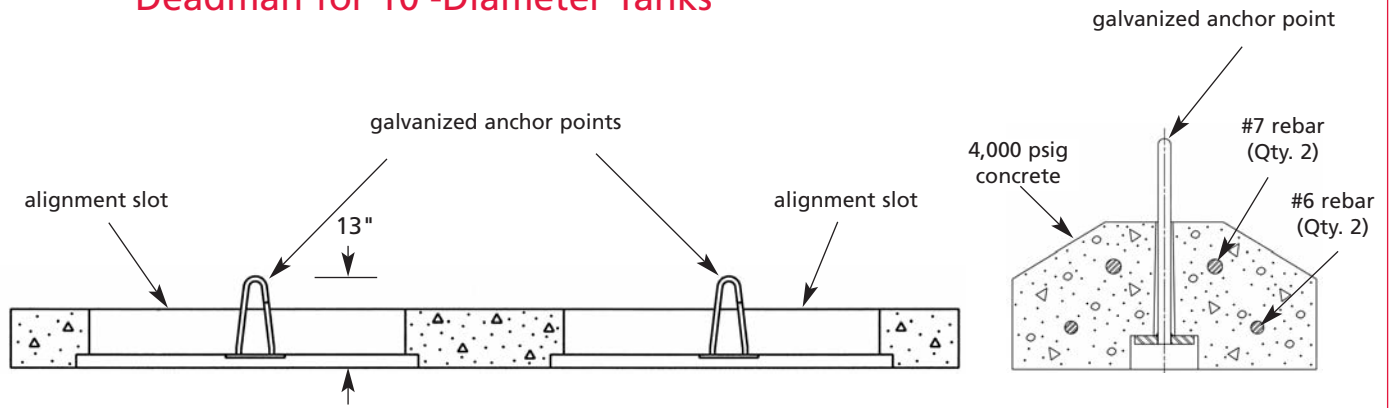
- Engineered according to ACI code with proper reinforcement for added strength
- Usually delivered on the same truck as the tank
- Available for 4'-, 6'-, 8'- and 10'-diameter tanks
- Appropriately sized for each tank
- Supplied with galvanized, adjustable anchor points
- Available in 12', 14', 16', 18', 22' and 30' lengths
- Expedites tank installation
- Easy to install
- Manufactured with 4,000 psig concrete

Prefabricated UST Deadman

Deadman for 4'-, 6'- & 8'-Diameter Tanks



Deadman for 10'-Diameter Tanks



Product Specifications

Deadmen for 4'-, 6'- and 8'-Diameter Tanks

Nominal length	Nominal width x depth	Approximate weight (lbs.)
12'	12" x 12"	1,800
16'	12" x 12"	2,400
18'	12" x 12"	2,700

Deadmen for 10'-Diameter Tanks

Nominal length	Nominal width x depth	Approximate weight (lbs.)
14'	18" x 8 3/4"	1,900
18'	18" x 8 3/4"	2,400
22'	18" x 8 3/4"	3,000
30'	18" x 8 3/4"	5,000

Optional Turnbuckles Jaw-to-Jaw Style

6'-Diameter Tank
3/4" x 9"
(17" closed, expanding to 26")

8'-Diameter Tank
3/4" x 12"
(20" closed, expanding to 32")

10'-Diameter Tank
3/4" x 18"
(26" closed, expanding to 44")

General Notes:

- Number and combination of deadmen may vary with tanks 30,000 gallons or larger, and based on the number of containment sumps or access risers and burial depth.
- Consult the Xerxes Installation Manual and Operating Guidelines or your Xerxes sales representative for more information.