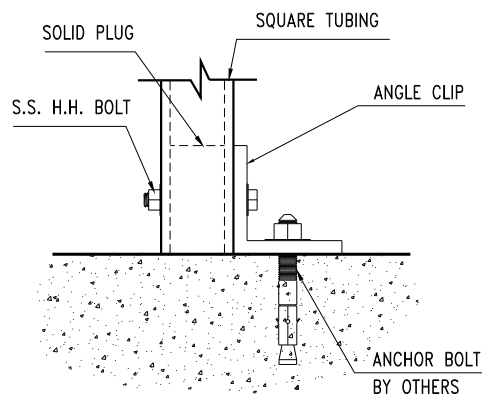


FRP RUNG DETAIL



FRP ANCHOR DETAIL

FRP LADDER W/ SAFETY CAGE



3300 E. 19TH STREET
SIGNAL HILL, CA 90755

PH: 562-986-5238
FAX: 562-986-5246

FRP LADDER-CR3

FRP LADDER W/
SAFETY CAGE

LADDER TYPE:

RESIN: POLYESTER:

VINYLESTER:

LADDER COLOR:

COLOR: YELLOW:

GRAY:

SCALE: NOT TO SCALE

DATE: 11-30-10

DRAWN BY: LADDER-CR3